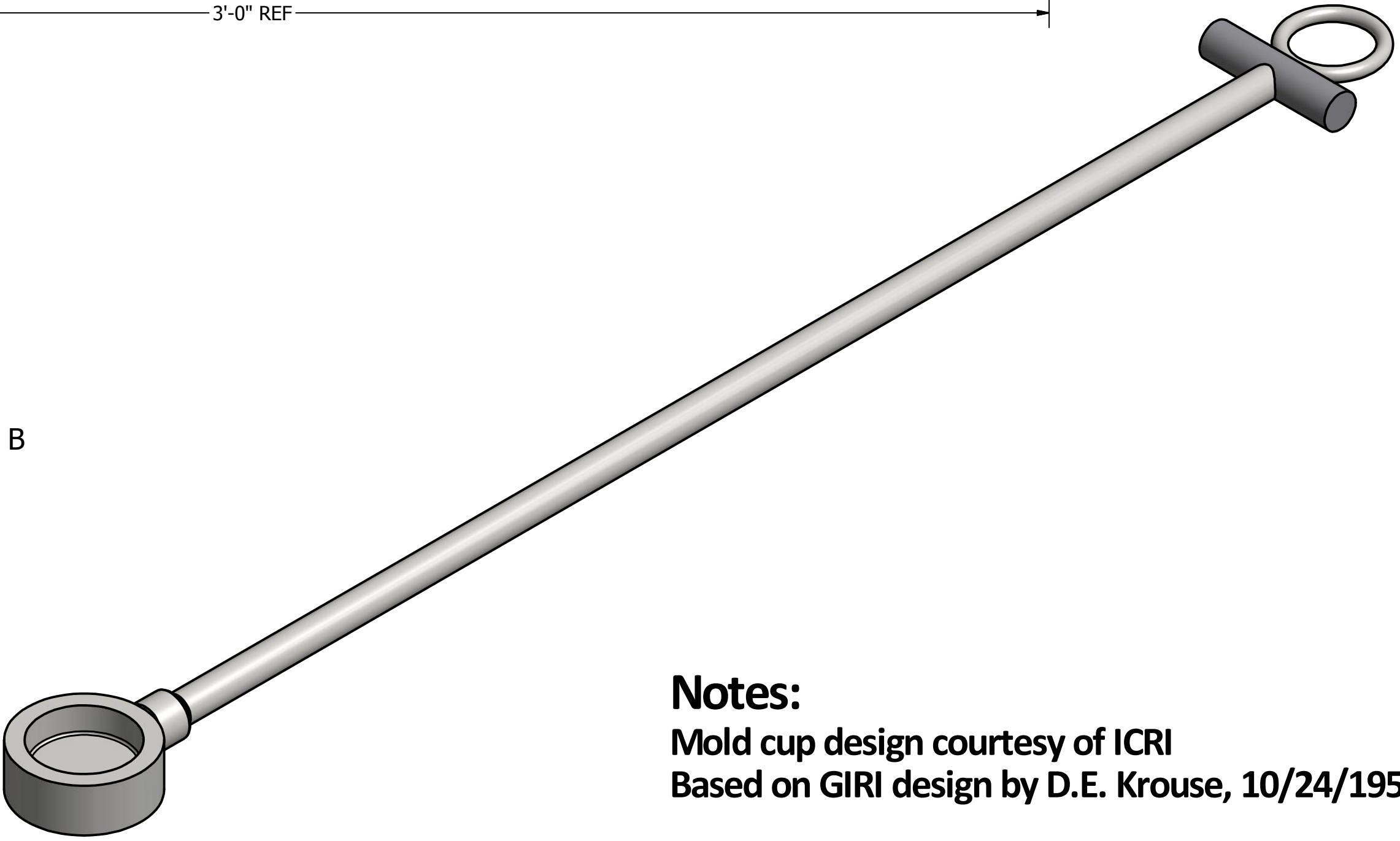
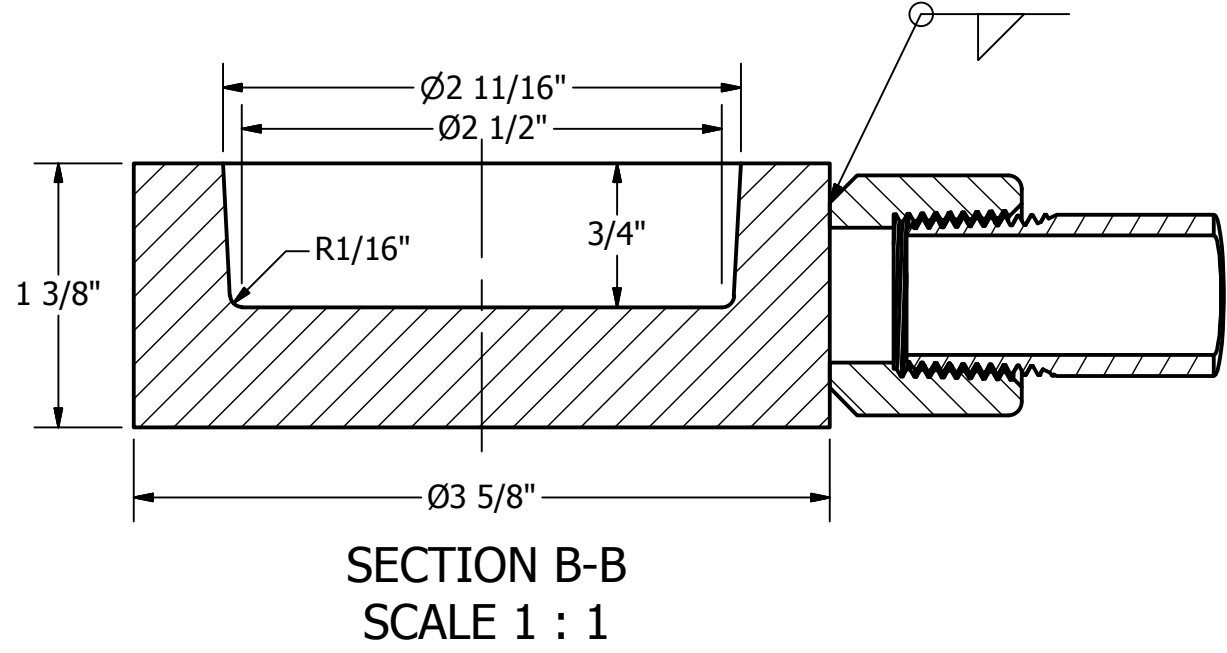
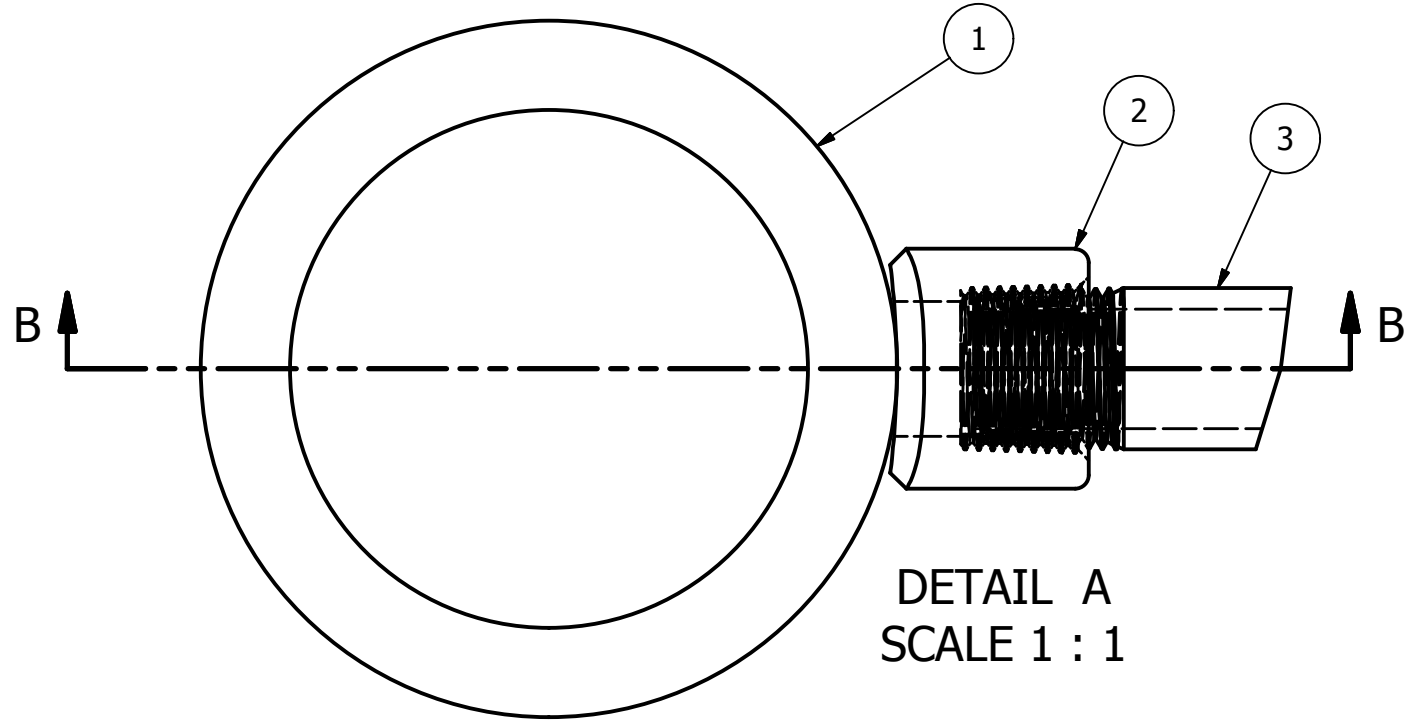
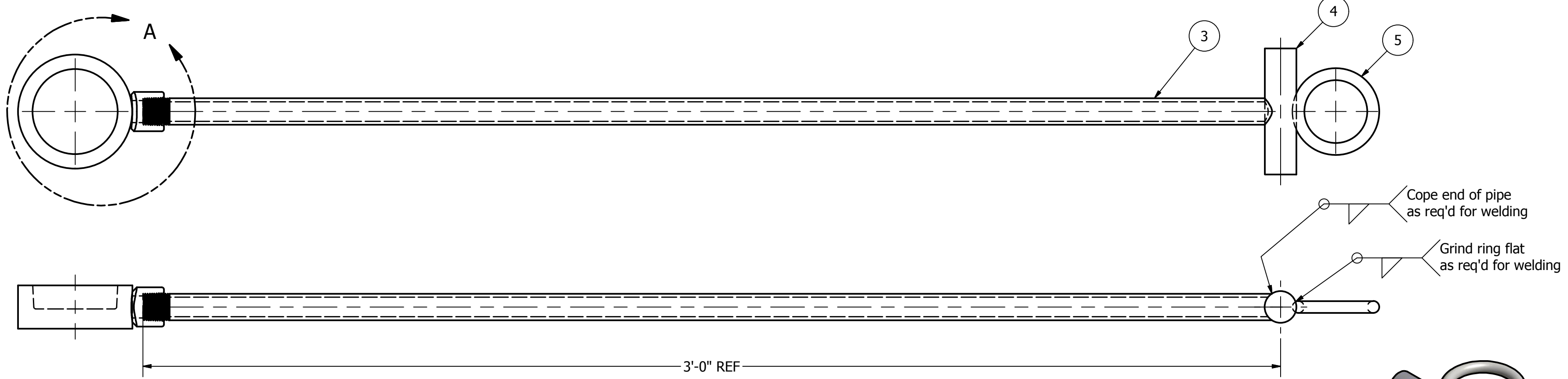


PARTS LIST						
ITEM	QTY	DESCRIPTION	STOCK NUMBER	LENGTH	MATERIAL	Wt ea (lbs)
1	1	Round Bar	3 5/8"		Steel	2.95
2	1	Threaded Pipe Outlet	1/2" NPT		Steel	.20
3	1	Pipe	1/2" NPT, TOE, Sch 40	36 in	Steel	2.51
4	1	Round Bar	1"	4 in	Steel	.89
5	1	Ring	3/8" x 2" ID		Steel	.23

Total BOM Wt = 6.78 lbs



Notes:
 Mold cup design courtesy of ICRI
 Based on GIRI design by D.E. Krouse, 10/24/1959

DRAWN jr	4/14/2015			
CHECKED DJK	4/17/2015			
QA		TITLE Cupola Slag Sample Mold		
MFG		SIZE C	DWG NO	REV
APPROVED		SCALE 3/8	SHEET 1 OF 1	